

steriti[®]
P R O D U C T S
DOCK

DOCK SHELTERS WI-SERIES

Inflatable Dock Shelters

Optimal Temperature Control



STERTIL
SUPERIOR SOLUTIONS

Superior Solutions



Stertil Dock Products provides quality, customised and technically advanced loading bay dock equipment solutions throughout the world. The best possible service is also offered from skilled local partners. These superior solutions are conceived, developed and implemented by a team of professional specialists with unique expertise. Thanks to the quality of its people, its totally in-house production process and its international organisation, Stertil Dock Products is a leading international quality supplier of loading bay dock equipment.



Stertil WI-Series Inflatable Shelters offer optimal temperature management and maximum flexibility

Are you looking for a solution that provides virtually airtight sealing for a wide variety of vehicles?

And do you have stringent requirements for climate management capability?

Then Stertil's WI-Series of Inflatable Shelters provide superior operation, reliability, durability and flexibility.

WI or WIS?

Along with the WI, we offer the WIS in our WI-Series.

This model combines an inflatable **Cordura®** top cushion with PVC or **POWERFLEX®** curtains for side sealing. This makes the WIS an excellent choice for situations where a wide variety of vehicle heights are loading and unloading, such as single-decker and double-decker trailers.

The WI makes the difference

The Stertil WI-Shelter is unique due to the following benefits:

- Virtually airtight sealing with inflatable top and side cushions
- Optimal temperature control for cold storage and freezer facilities
- Maximum flexibility for diverse vehicle sizes
- Durable inflatable cushions made from high-quality Cordura®
- Fast inflation time ~15 seconds, deflation time approximately ~20 seconds
- Fully integrated inflatable bottom pad
- Easy access with no obstruction of the loading opening
- Sturdy construction with protective curtains
- Standard double guidance marking chevrons for accurate positioning of vehicle

Sturdy construction and durable materials

- Aluminium frame, with 40 mm sandwich panels in Light Grey finish (RAL 7038)
- Top and side protection curtains made from heavy-duty PVC
- Standard protection curtain colour: black with white guidance markings
- Finished with aluminium profiles



Operation

- Integrated fully automatic operation using Stertil Multi Control (SMC) control box (optional)
- Alternative: simple operation with the standard control box



Optional versions and extras

- Custom dimensions available upon request
- POWERFLEX® curtain material (WIS)
- High density bumpers for side panel protection (WIS)

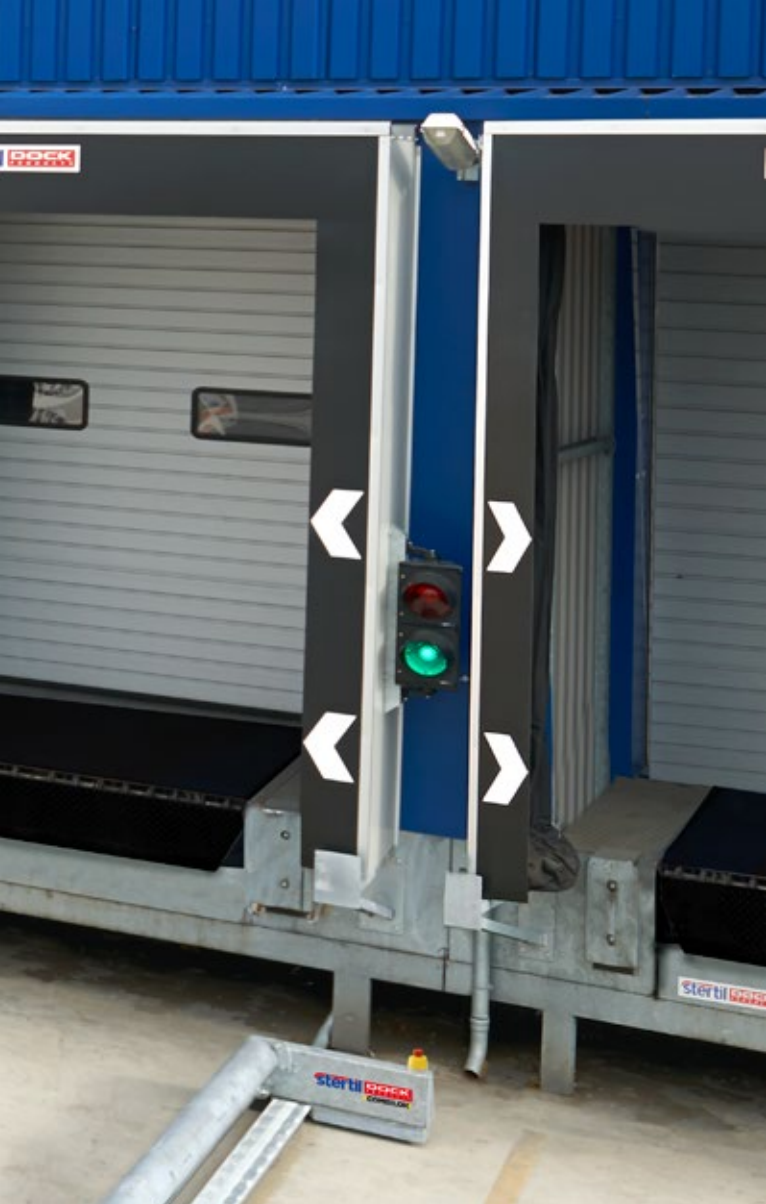
- In applications such as sea containers extra POWERFLEX reinforcements on the contact surfaces of the side cushions for protection against wear
- POWERFLEX interior curtains for extra draught sealing of the gap between the trailer and the open trailer door



Approach markings

Large visible guidance chevron markings on the curtains, assist drivers in the accurate positioning of the vehicle into the shelter.

Stertil WI-Series Dock Shelters



Technical drawings and advice

Detailed technical drawings are available for the structural implementation and installation of the Dock Shelters. Stertil will be pleased to advise you on the most effective solution for your dock requirements.



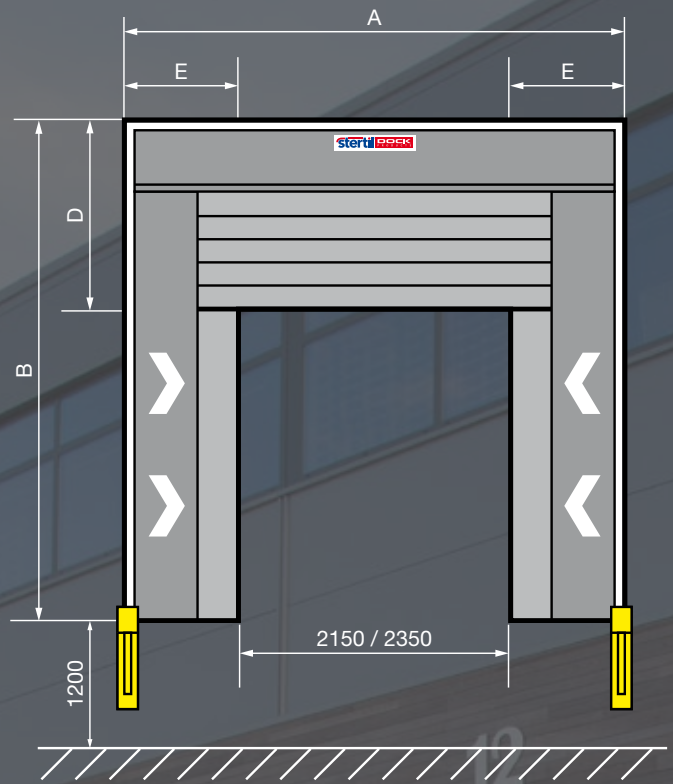
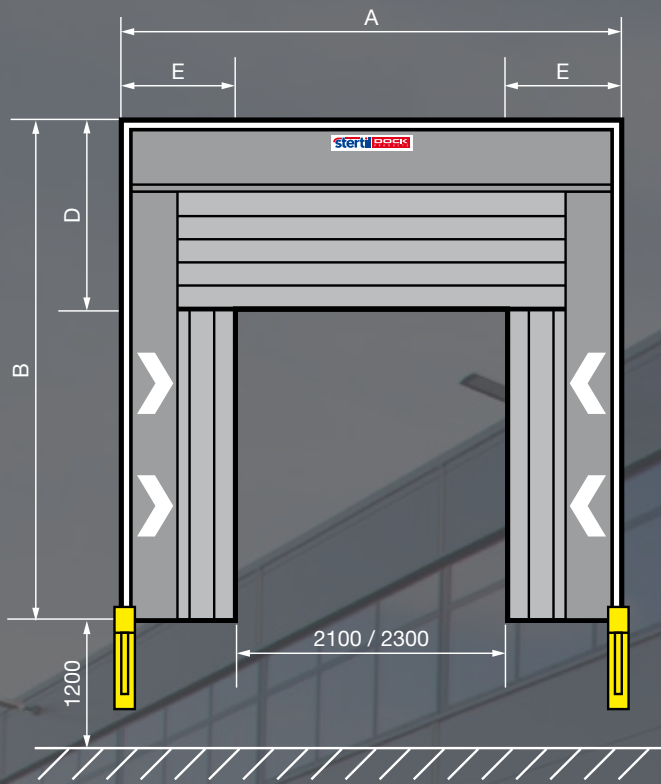
HD protection bumpers

Integrated bottom pads

In-house production

Stertil WI-Series Dock Shelters





| Standard dimensions | WI-Series | WIS-Series |
|-----------------------------------|--------------------|---------------------------------------|
| A. Outside width | 3500 mm or 3700 mm | 3500 mm or 3700 mm |
| B. Outside height platform model | 3600 mm or 4000 mm | 3600 mm or 4000 mm |
| Ground-level model | 4700 mm | 4700 mm |
| C. Projection | 815 mm | 915 mm and 1015 mm |
| D. Height of inflated top cushion | 1350 mm or 1750 mm | 1350 mm, 1750 mm, 1950 mm and 2300 mm |
| E. Width of inflated side cushion | 700 mm | 675 mm (side curtain) |

More information

Please feel free to contact us for more information about the Stertil Inflatable Dock Shelters or other high-quality Stertil Dock Products.



Stertil B.V.
P.O.Box 23
9288 ZG Kootsterille
The Netherlands
Tel. +31 (0)512 334444
www.stertil-dockproducts.com
dp@stertil.nl
Facebook Stertil Dock Products
Twitter /Stertil-b-v- Instagram @Stertil

a member of the Stertil Group