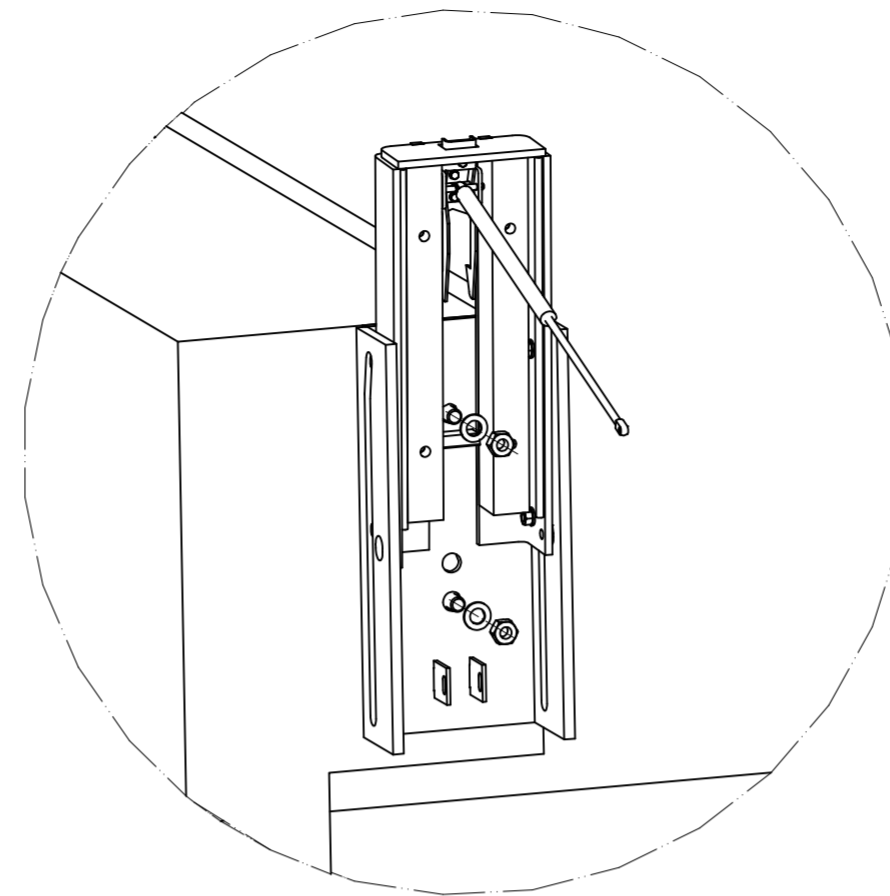
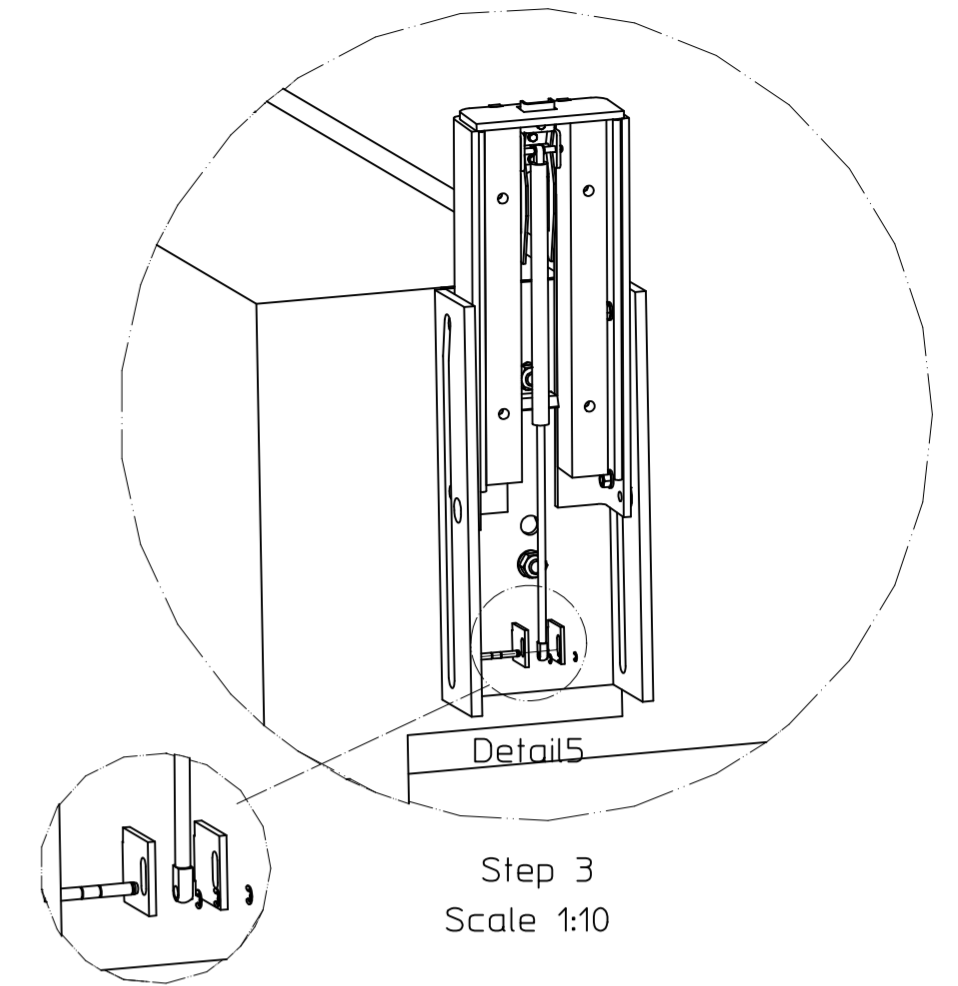


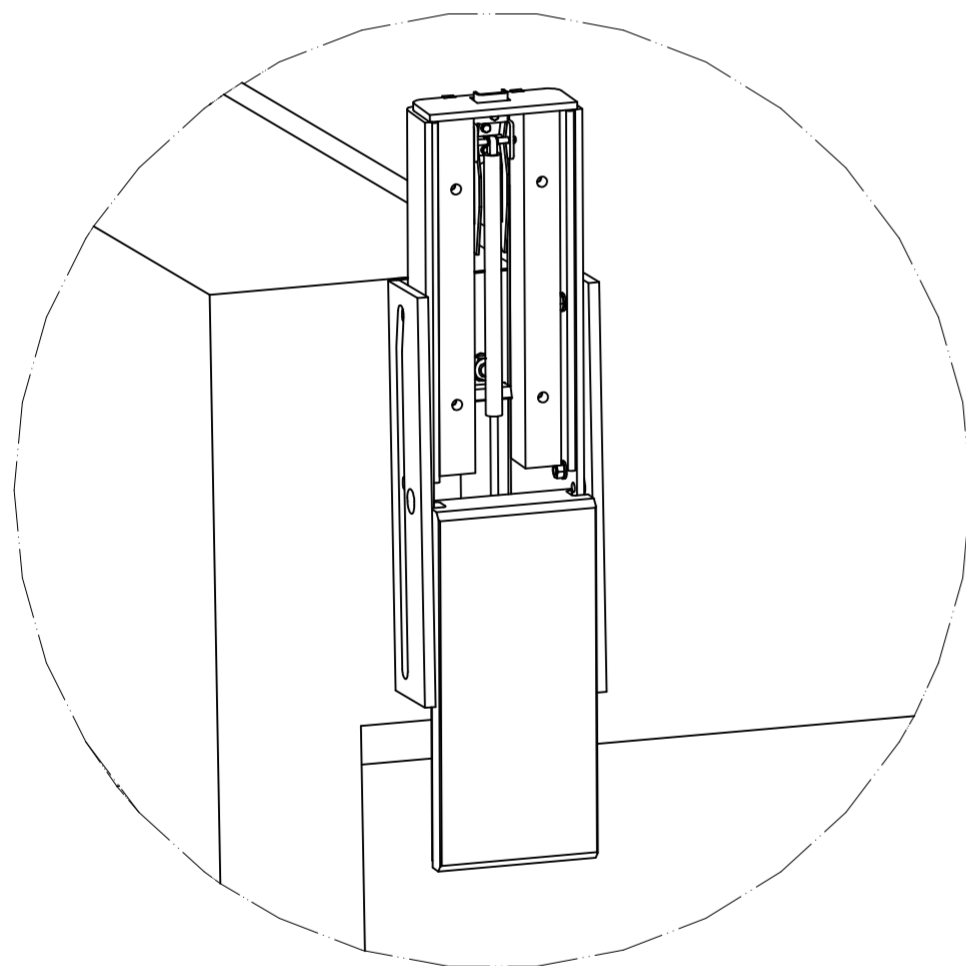
Step 1
Scale 1:10
Mount M20 anchors in the concrete



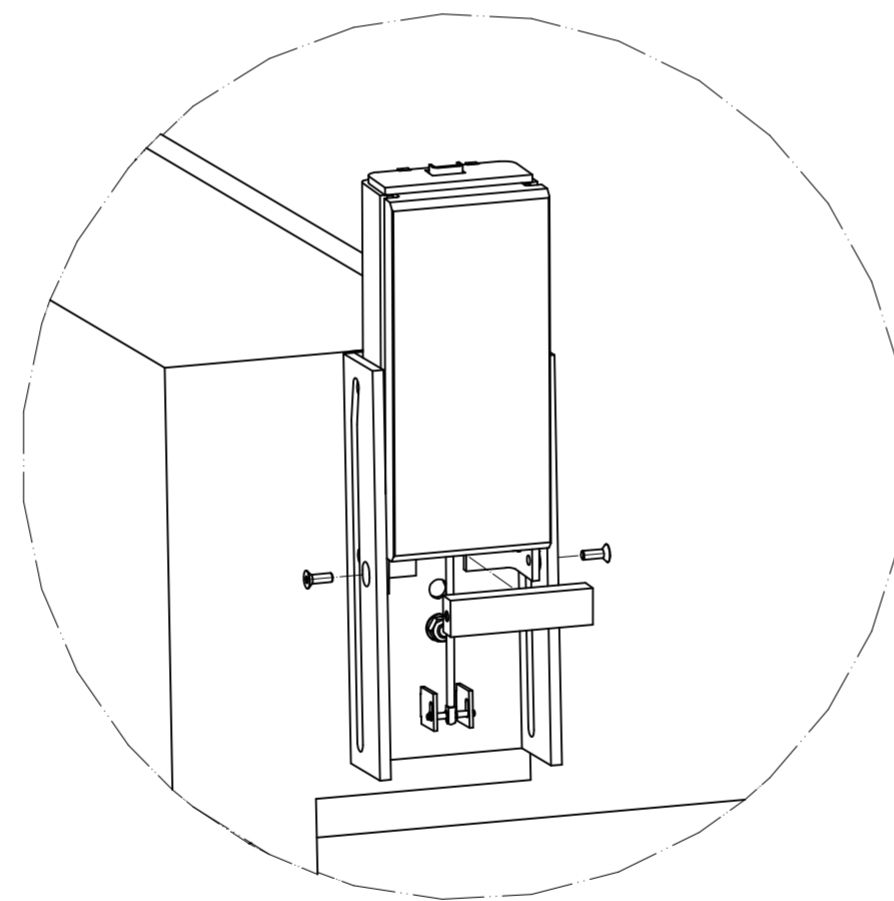
Step 2
Scale 1:10
Mount the pre-assembled bumper to the concrete using the M20 nuts and washers.



Step 3
Scale 1:10
Mount the gas spring with the axle and 4 retaining rings
Detail 5
Scale 1:5

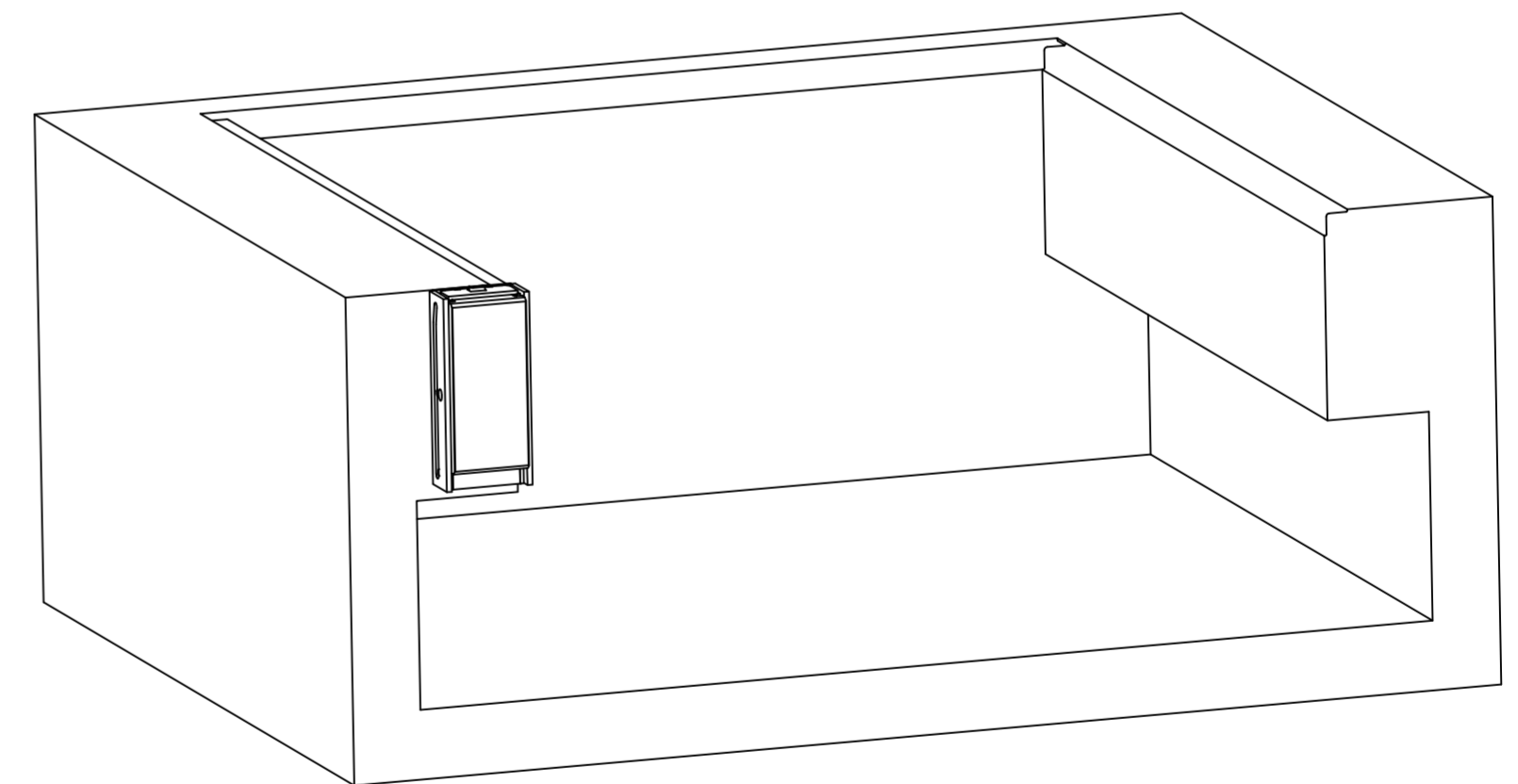


Slide in the PE-Block as shown
Step 4
Scale 1:10

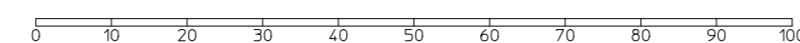


Mount the stop block to lock the PE in place with two M12x35 DIN 7991 bolts.
This was the final step, the PE-M bumper is now ready for use

Step 5
Scale 1:10



Scale 1:20



DIMENSIONS IN mm		ROUGHNESS IN R _a IN µm		1					
FINISH:	TREATMENT:	ITEM	NO. REQ.			DESCRIPTION	MATERIAL	PART NO./STANDARD	CERT.
THE DESIGN AND DRAWING ARE THE COPYRIGHT OF STERTIL BV AND MAY NOT BE COPIED OR REPRODUCED WITHOUT PRIOR PERMISSION IN WRITING TO THIRD PARTIES.						TITLE		SCALE	
						PE-M Bumper		1:10	
						Installation instructions		DWG. BY GZ	
						MODELS		DATE 21-09-16	
						ASSEMBLIES		CHCKD. BY BdB	
						PROJECTION		SH. 1	
						DIN. SIZE		REV. 0	
0 Released for construction						14-12-16 GZ		ORDERNO.	
SYM. DESCRIPTION						ECO DATE BY		DWG. NO. 03860800-1	
						A2		KOOTSTERTILLE HOLLAND	

stertil[®] KOOTSTERTILLE HOLLAND